

A44	GB/T 5780-2000	hexagon head bolt M8X10 (A1)	1
A43	KC21-01-6	belt pulley	1
A42	KC26-01-08	pulley shaft	1
A41	GB/T 1096-1979	parallel key B6X6X5	1
A40	KC55-01-22	bearing housing	1
A39	6204S-2Z-WB1	ball bearing	1
A38	KC55-01-21	bracket for worm gear half	1
A37	GB/T95-1985	flat washer 6	2

A36	GB/T845-1985	parallel key M6X6X4	2
A35	KC26-01-05	fan	1
A34	GB 13871-1997	sealing ring 20 35	1
A33	KC55-01-19	bushing worm shaft	1
A32	KC55-01-18	collar for worm shaft	1
A31	GB/T 5780-2000	hexagon head bolt M8X5	2
A30	GB/T 6182-2000	hexagon nut with internal thread M8	4
A29	GB/T 879-2000	spring bolt 6X30	1
A28	KC55-01-17	worm shaft	1
A27	KC55-01-16	bushing worm shaft 12	1
A26	KC21-01-05A	auger, left	1
A25	GB/T 9074.17	hexagon head bolt M8X10	5
A24	KC55-01-14	worm housing, left	1
A23	KC55-29	individual pin pinhook	2

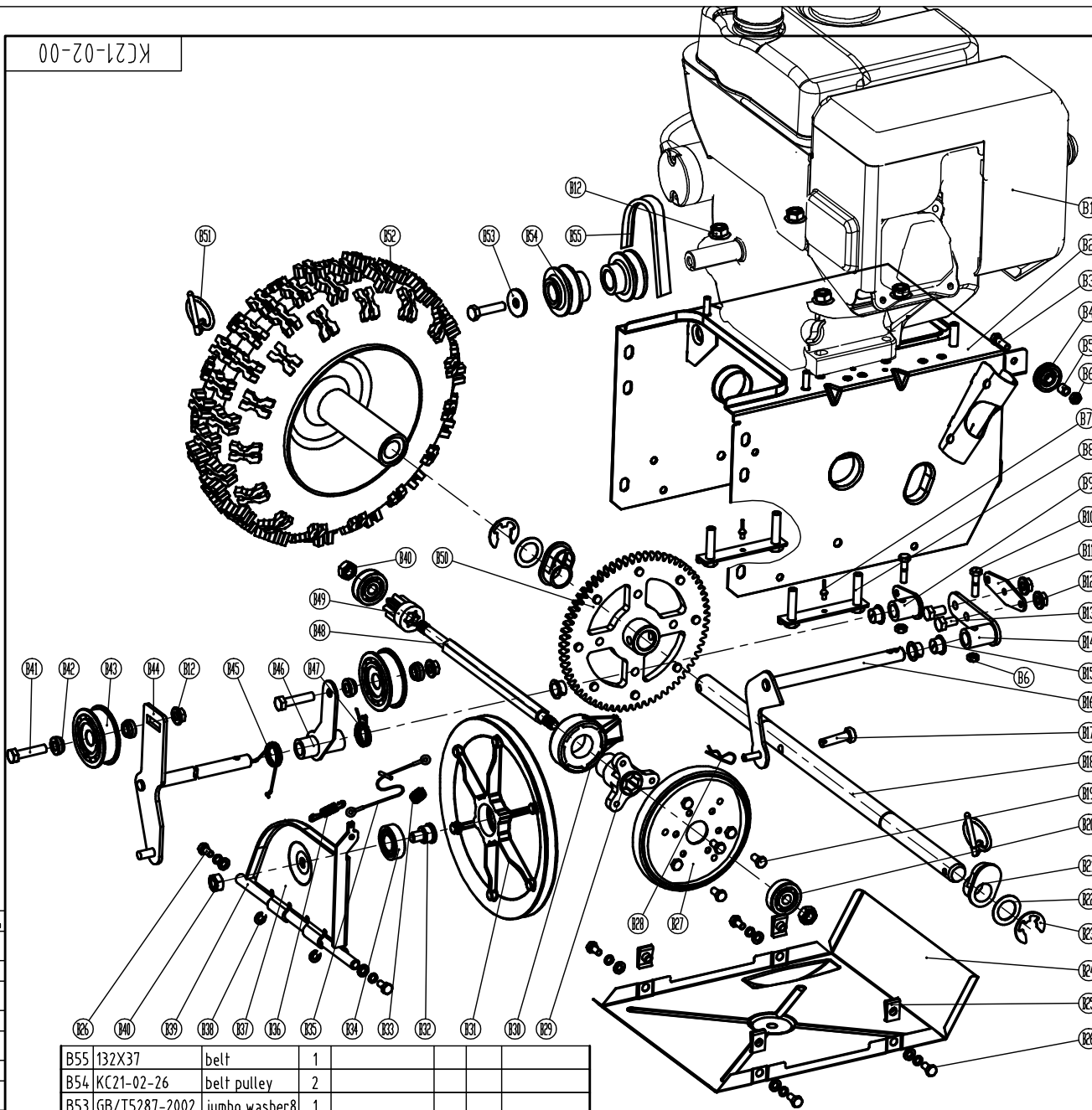
A22	GB/T 1096-1979	parallel key B5X5X5	1
A21	KC21-01-04	worm gear	1
A20	KC55-01-12	paper washer	1
A19	KC21-01-03	hexagon screw	2
A18	KC55-01-10AC	output shaft (62D)	1
A17	KC55-01-09	output shaft sleeve (9)	2
A16	GB/T153-89	forced filling oil cup M8	1
A15	KC55-01-08	worm housing, right	1
A14	GB13871-1993	FM outer sealing ring	1
A13	KC21-01-02A	auger, right	1
A12	KC55-01-06	bushing for drive shaft	4
A11	KC55-01-05C	bushing	2
A10	KC55-01-04C	bearing cover	2
A9	GB/T93-1987	spring washer 8	7
A8	GB/T 5780-2000	bolt M8X15	7
A7	KC55-01-03A	shave plate, long	1
A6	GB/T12-1988	carriage bolt M8X15	2
A5	GB/T12-1988	carriage bolt M8X20	8
A4	KC26-01-02	slide shoe	2
A3	GB/T961-2002	big washer 8	12
A2	GB/T 889.1-2000	big hex nut with internal thread M8	16
A1	KC21-01-01A	housing assembly	1


 KC MECHANICAL & ELECTRICAL

通用件备注
 插图
 校核
 审核图号
 签字
 日期

图号	A2	图名	KC24-01-00	图别	零件
数量	125	材料		规格	

KC21-02-00



B44	KC21-02-20	big tension assembly	1						
B43	KC55-02-21	small tension pulley	2						
B42	KC55-01-26	pad	4						
B41	GB/T 5780-2000	hexagon head ball M6X35	2						
B40	GB/T 889.1-2000	hexagon lock nut M6	3						
B39	KC21-02-19	strut bar	1						
B38	GB/T959.1-86	Open file ring?	2						
B37	KC21-02-18	Friction disc Seal	1						
B36	KC55-02-07	spring6	1						
B35	KC21-02-17	Short Wire	1						
B34	GB/T276-1994	ball bearings203-2RZ	1						
B33	KC21-02-16	spring1	1						
B32	KC21-02-15	Transmission Axle	1						
B31	KC21-02-14	Friction disc	1						
B30	KC21-02-13	Slide bearing	1						
B29	KC21-02-12	Rubber Ring Seal	1						
B28	KC55-29	individual pen pinhook	3						
B27	KC21-02-11	Rubber Ring	1						
B26	GB/T 9074.17-1988	hexagon head ball assemblyX16	6						
B25	LP005	B Spring nut M6	4						
B24	KC21-02-10	bottom plate	1						
B23	GB894.2-86	circle for shaft19	2						
B22	KC21-02-09	shaft pad	2						
B21	KC21-02-08	driving shaft housing	2						
B20	GB/T276-1994?	ball bearing6300-2N	2						
B19	GB/T 5780-2000	boltM6X12	3						
B18	KC21-02-07	drive shaft	1						
B17	KC55.02-41	pinned shaft with whole	1						
B16	KC55-02-05	shifting fork	1						
B15	KC90-02-07	plastic bearing cover	4						
B14	KC21-02-06	gear connector	1						
B13	GB/T 5780-2000	hexagon head ball M6X16	2						
B12	GB/T 6183.1-2000	Hex flang lock nut	8						
B11	KC21-02-05	gear position regulating plate	1						
B10	GB/T 5780-2000	hexagon head ball M6X25	2						
B9	kc21-02-4	gear connector	1						
B8	KC21-02-3	Screw assembly 6HP	2						
B7	GB/T12618-1990	open type blind rivet 3X10	2						
B6	GB/T 889.1-2000	hexagon lock nut M6	3						
B5	KC21-02-2	Small Shaft Sleeve	1						
B4	KC40-28	pulley	1						
B3	GB/T 5780-2000	hexagon head ballM6X20	1						
B2	KC21-02-1	wheel box	1						
B1	G164F	engine	1						

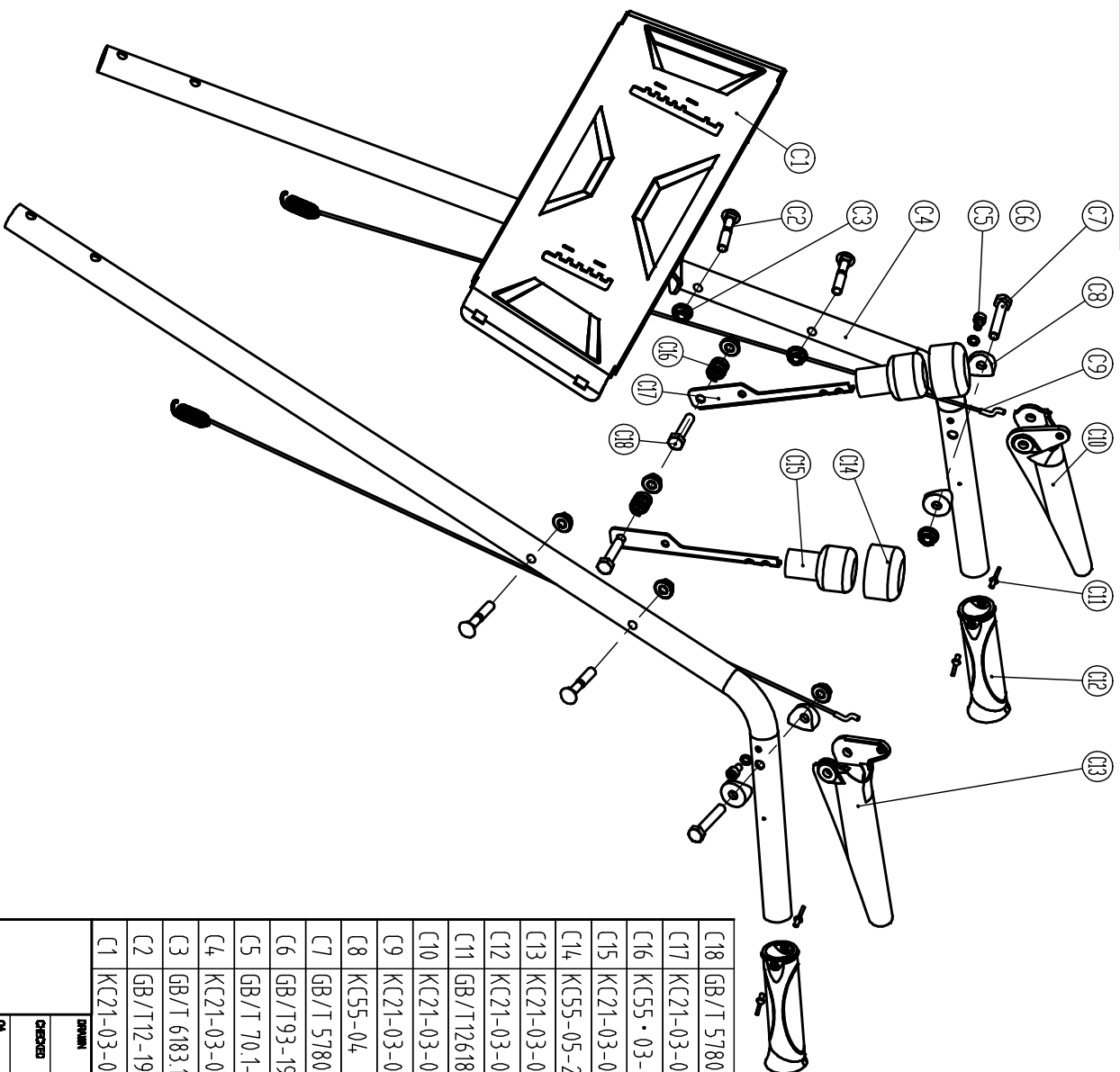
借通附件登记
描图
校描
旧底图总号
签字
日期

B55	132X37	belt	1						
B54	KC21-02-26	belt pulley	2						
B53	GB/T5287-2002	jumbo washer8	1						
B52	145-70X6	tyre	2						
B51	KC55-02-27	Spring Pins	2						
B50	KC55-02-30C	differential	1						
B49	KC21-02-25	gear box	1						

B48	KC21-02-24	hexagon transmission shaft	1						
B47	KC21-02-23	Torsion spring	1						
B46	KC21-02-22	small tension assembly	1						
B45	KC21-02-21	Torsion spring	1						

DATE	2012/4			
DESIGNED				
QA				
APPVED				
DATE	AZ	FIGURE	NO. KC21-02-00	REV
SCALE	1:15	QUANTITY		

00-00-173X
KC21-03-00



C18	GB/T 5780-2000	hexagon head bolt M8X35	2				
C17	KC21-03-08	handle bar	2				
C16	KC55-03-04	pre-tighten spring	2				
C15	KC21-03-07	gear regulation handle	2				
C14	KC55-05-2	handle cap	2				
C13	KC21-03-06	handle ,left	1				
C12	KC21-03-05	Handle	2				
C11	GB/T 12618-1990	open type blind rivet 3X10	4				
C10	KC21-03-04	handle ,right	1				
C9	KC21-03-03	long wire	2				
C8	KC55-04	plastic nut housing	4				
C7	GB/T 5780-2000	hexagon head bolt M8X50	2				
C6	GB/T 93-1987	spring washer 6	2				6
C5	GB/T 70.1-1985	hexagon socket cap screw M8X2	2				M8X60
C4	KC21-03-02	armrest bar	2				
C3	GB/T 6183.1-2000	Hex flange lock nut	8				
C2	GB/T 12-1988	carriage bolt M8X35	4				
C1	KC21-03-01	panel	1				

DRAWN	DATE			
CHECKED	2012/4			
QA				
APPROVED				

SIZE	FORMING	DWG NO.	REV
A3		KC21-03-00	
SCALE	1:4		

借用件登记

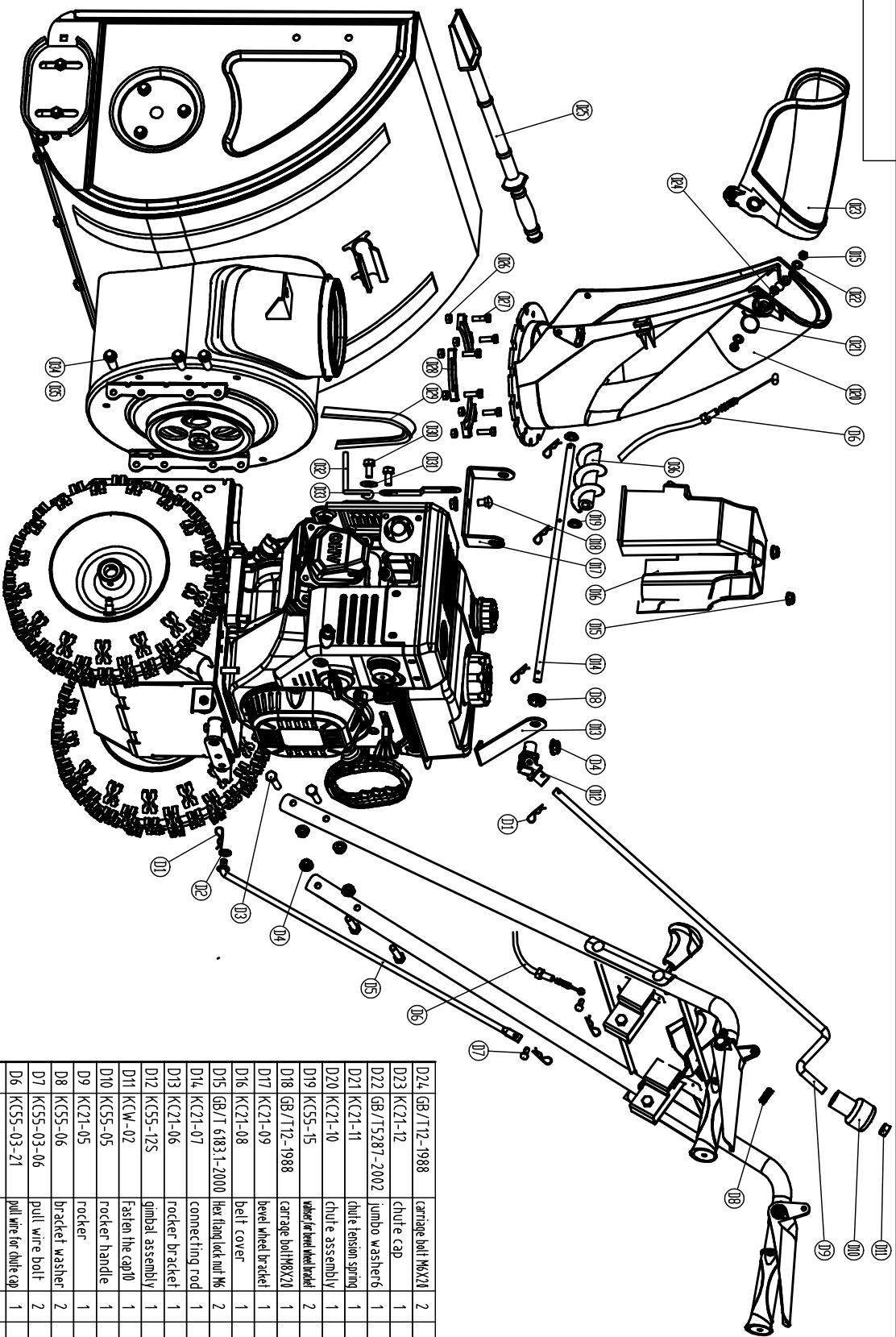
描述

校核

旧底图总号

签字

日期



通用附件标记

插图

校描

旧版图号

签字

日期

D36	KC21-14	Rotating parts?	1
D35	GB/T195-2002	flat washer8	6
D34	GB/T 6563	long hole flat washer	6
D33	KC21-13	quyhook	1

D32	KC90-12	belt baffle	1
D31	GB/T5287-2002	big washer8	2
D30	GB/T 5780-2000	hexagon head screw M8X20	2
D29	V10X720	belt	1
D28	KC55-23	fixed block	3
D27	GB/T 818-2000	panel screw with hexagon head	6
D26	GB/T 889.1-2000	hexagon hole flat washer	6
D25	KC55-24	snow removal tool	1

D24	GB/T12-1988	carriage bolt M6X20	2
D23	KC21-12	chute cap	1
D22	GB/T5287-2002	jumbo washer6	1
D21	KC21-11	chute tension spring	1
D20	KC21-10	chute assembly	1
D19	KC55-15	washer for wheel bracket	2
D18	GB/T12-1988	carriage bolt M8X20	1
D17	KC21-09	bevel wheel bracket	1
D16	KC21-08	belt cover	1
D15	GB/T 6183.1-2000	hex flang lock nut M6	2
D14	KC21-07	connecting rod	1
D13	KC21-06	rocker bracket	1
D12	KC55-12S	gimbal assembly	1
D11	KCW-02	fasten the cap	1
D10	KC55-05	rocker handle	1
D9	KC21-05	rocker	1
D8	KC55-06	bracket washer	2
D7	KC55-03-06	pull wire bolt	2
D6	KC55-03-21	pull wire for chute cap	1
D5	KC21-04	connecting rod	1
D4	GB/T 889.1-2000	hexagon nut with hex hole M8	6
D3	GB/T12-1988	carriage bolt M8X51	4
D2	GB/T95-2002	flat washer 6	1
D1	KC55-29	individue pen pinhook	6

KC MECHANICAL & ELECTRICAL

2012/4

REV	REVISED	DATE	BY
A2		12	